

## **Model: EX 20 CANISTER**

ISSUED: MARCH 1999

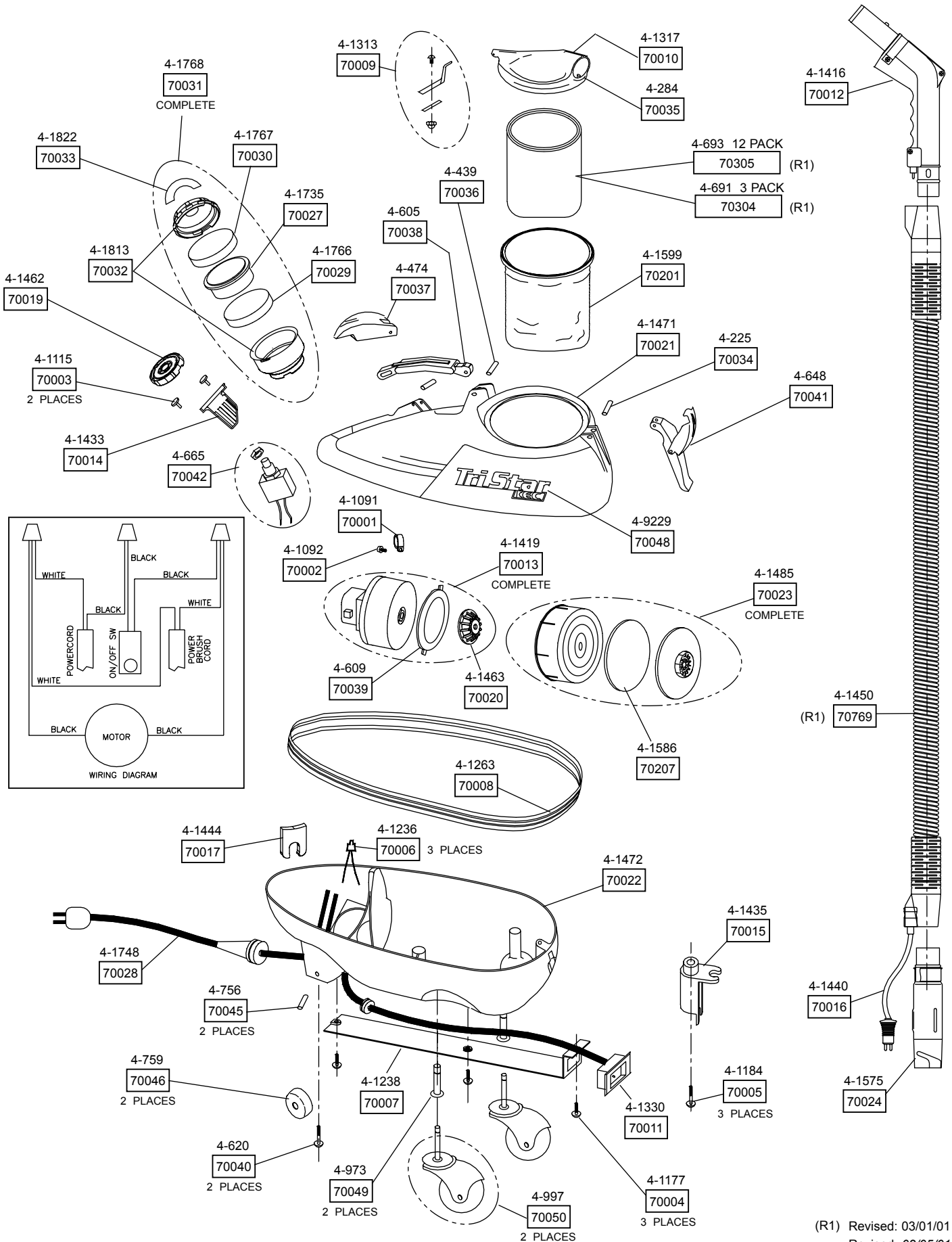
REVISED: 02/05/01

REVISED: 03/01/01

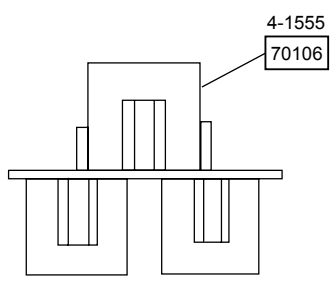
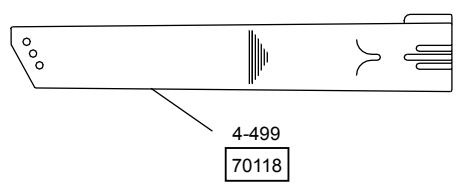
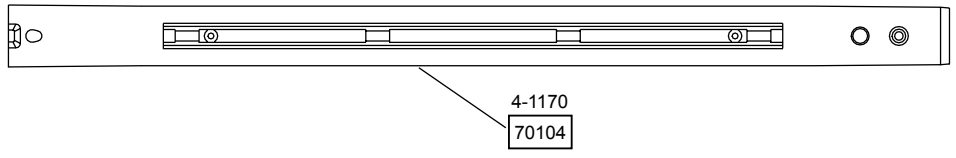
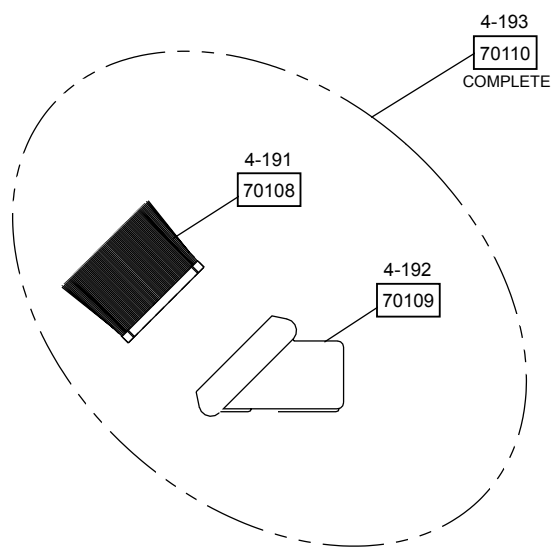
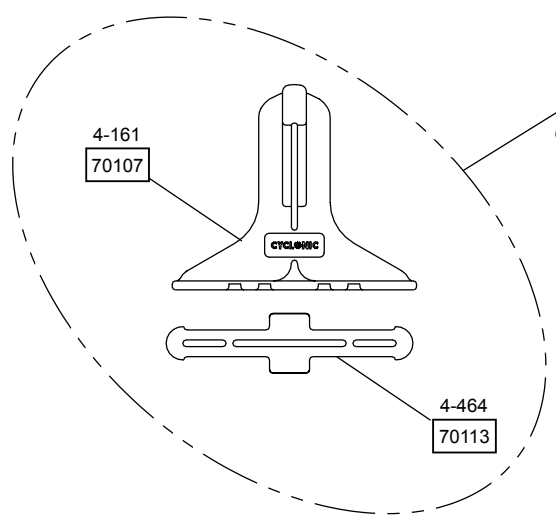
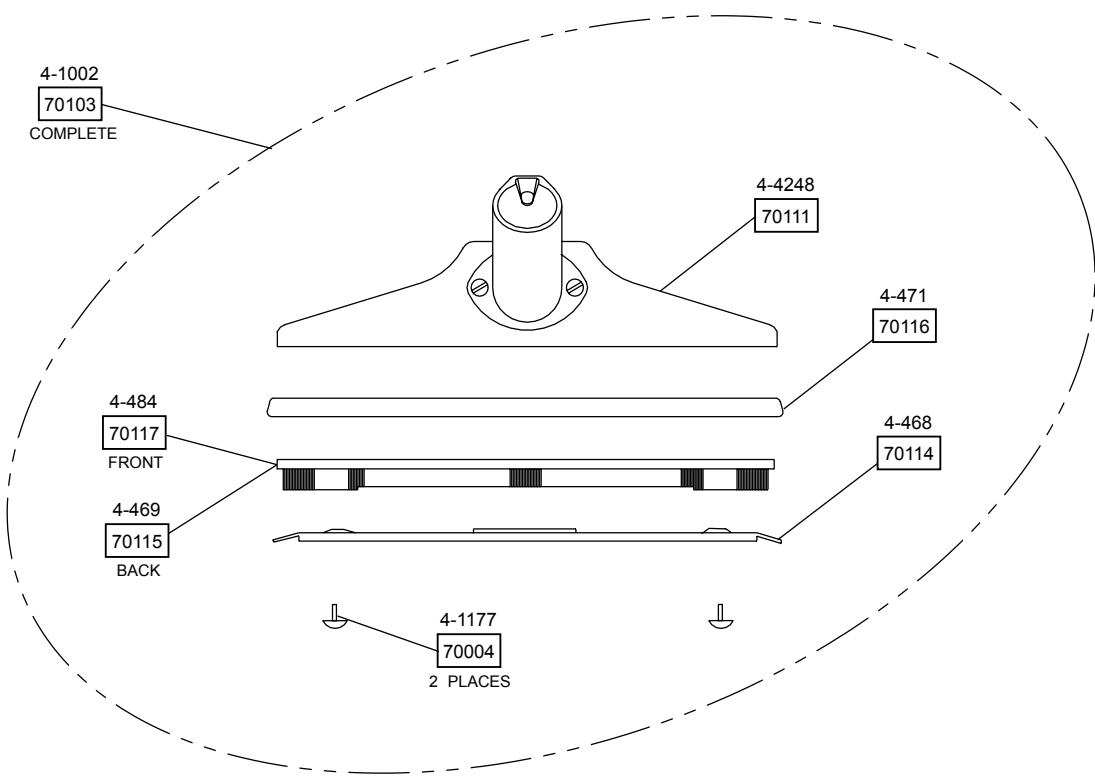
REVISED: 01/01/02

REVISED: 04/01/03

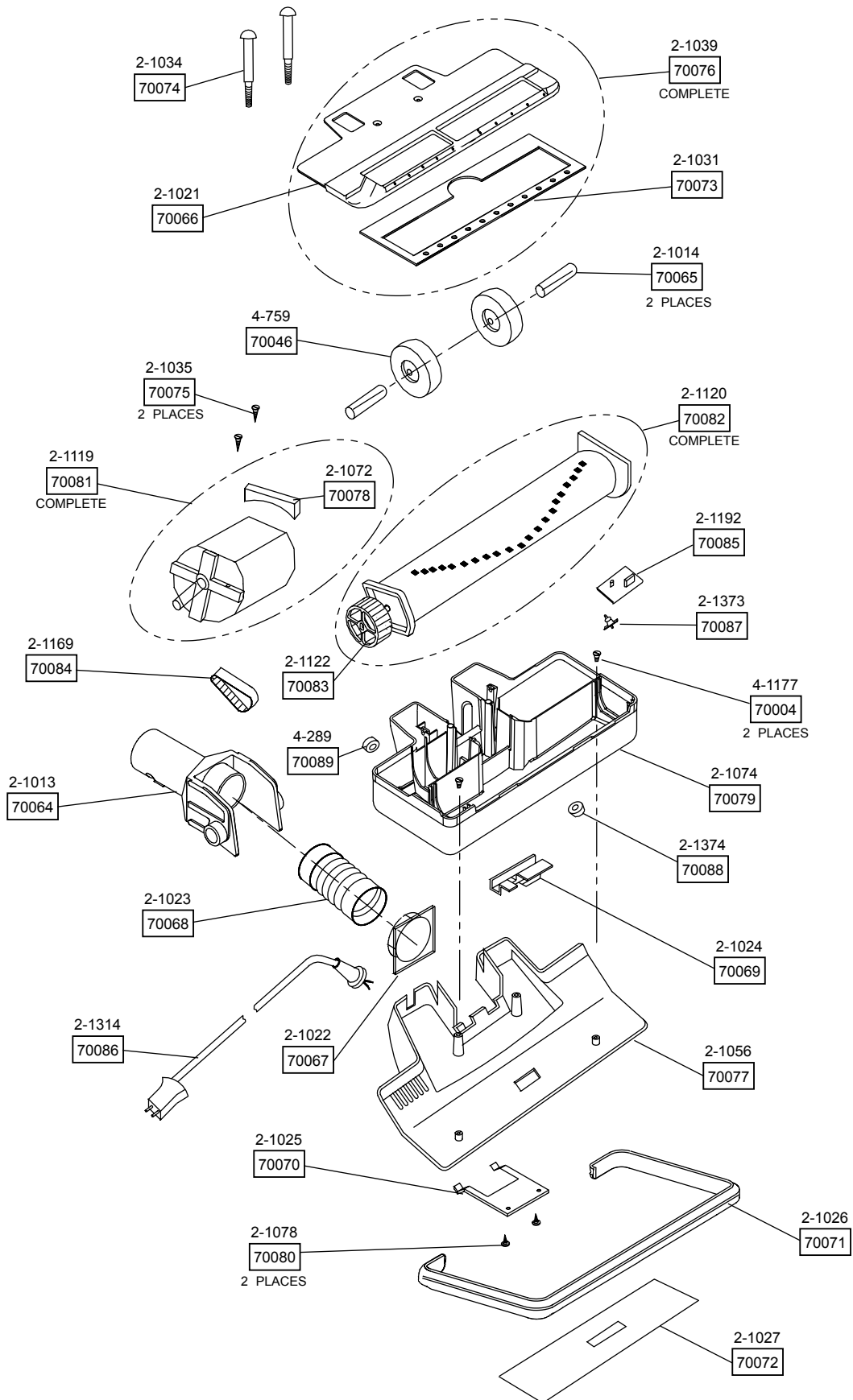
# EX 20 CANISTER



# ACCESSORY SET 4-1198



# TURBOBRUSH 2-101



# TURBOBRUSH 2-102

